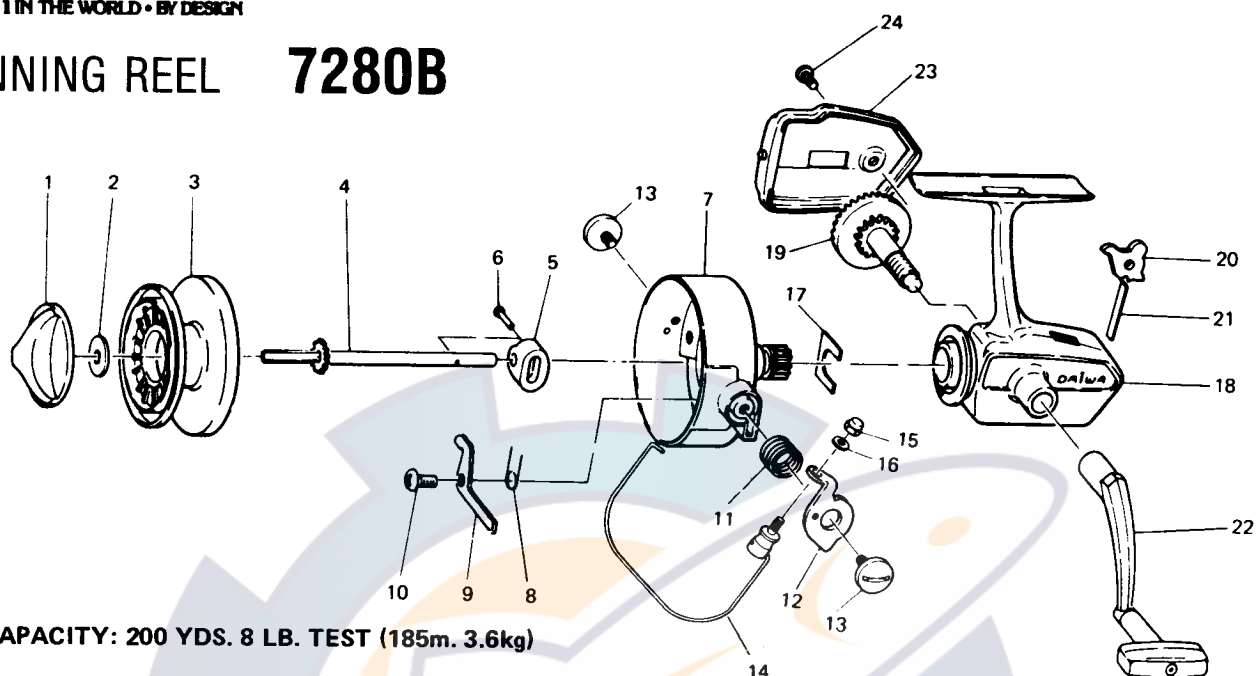




SPINNING REEL 7280B



LINE CAPACITY: 200 YDS. 8 LB. TEST (185m. 3.6kg)

Key No.	Parts No.	Parts Name	Price Per Piece	Key No.	Parts No.	Parts Name	Price Per Piece
1	6-441-3501	Drag knob	\$.55	13	6-362-3411	Arm lever screw	\$.60
2	6-374-7901	Drag washer	.10	14	6-725-3801	Bail	1.40
3	6-730-8001	Spool	1.50	15	6-341-9902	Bail nut	.20
4	6-710-5401	Main shaft	.70	16	6-160-0121	Bail washer	.10
5	6-480-5101	Oscillating slider	.10	17	6-632-4011	Pinion retainer	.10
6	6-490-4411	Oscillating slider pin	.10	18	6-192-4001	Body	2.50
7	6-201-5601	Rotor	3.50	19	6-412-8901	Drive gear	.70
8	6-142-5711	Bail kick lever spring	.10	20	6-110-4711	Anti-reverse claw	.10
9	6-570-6511	Bail kick lever	.45	21	6-150-6201	Anti-reverse claw spring	.10
10	6-353-6501	Bail kick lever screw	.10	22	6-745-7402	Handle	1.40
11	6-140-9231	Bail spring	.15	23	6-007-9121	Body cover	.60
12	6-231-1001	Arm lever	.45	24	6-352-2502	Body cover screw	.10